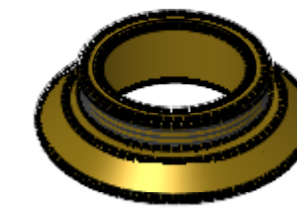


UPRIGHT ORIENTATION SHOWN

ADAPTERS AND ACCESSORIES

(SOLD SEPARATELY NOT SHOWN TO SCALE)



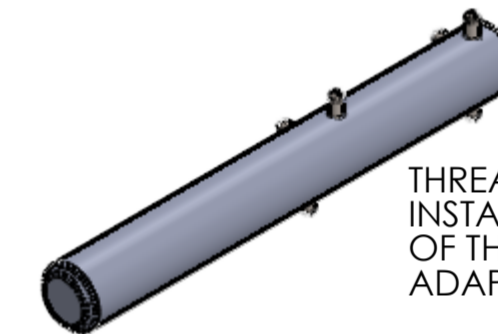
MICROSCOPE THREAD MOUNT. SELECT THREAD TO MATCH MICROSCOPE RMS, M25, W26, M27 OR M32.



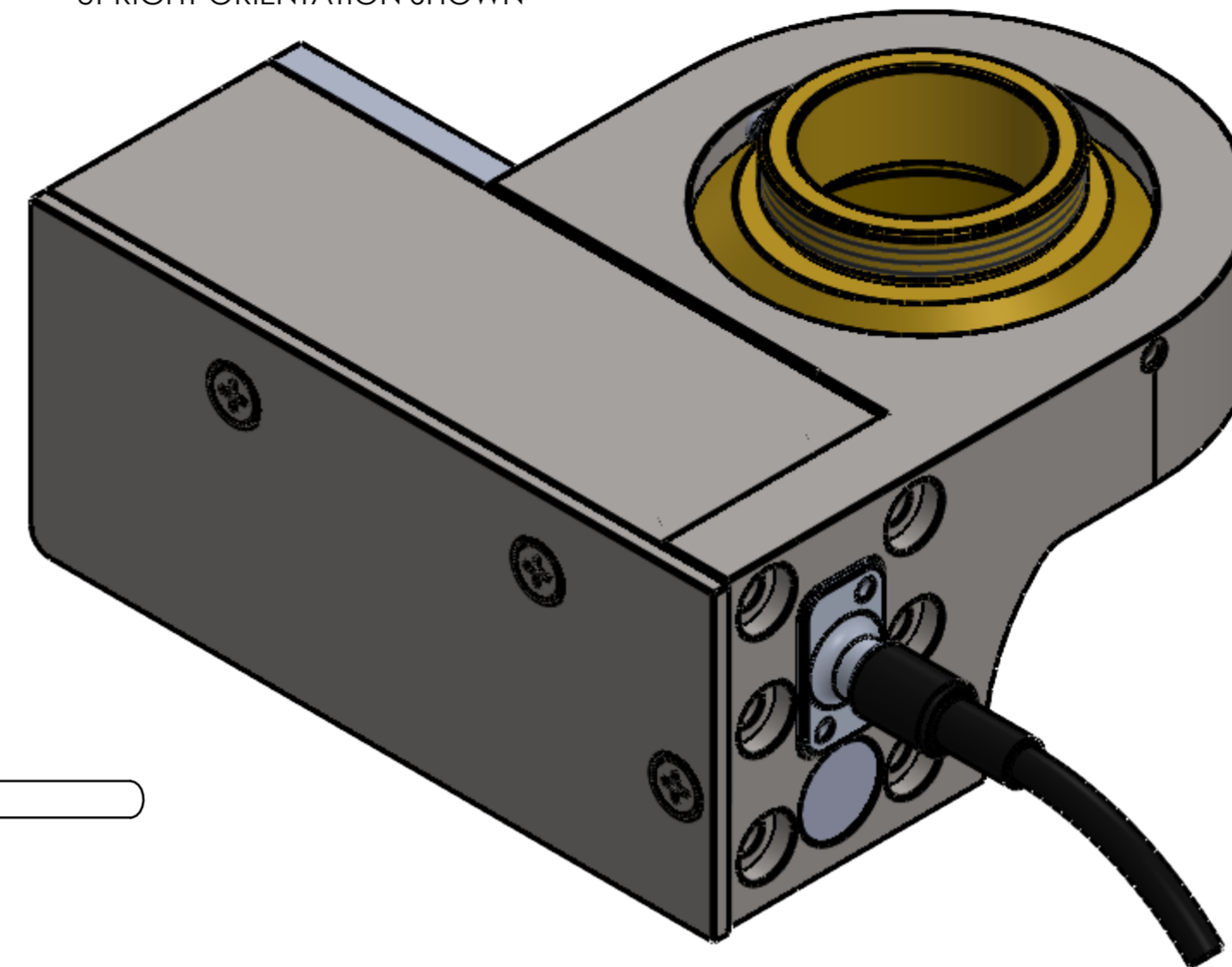
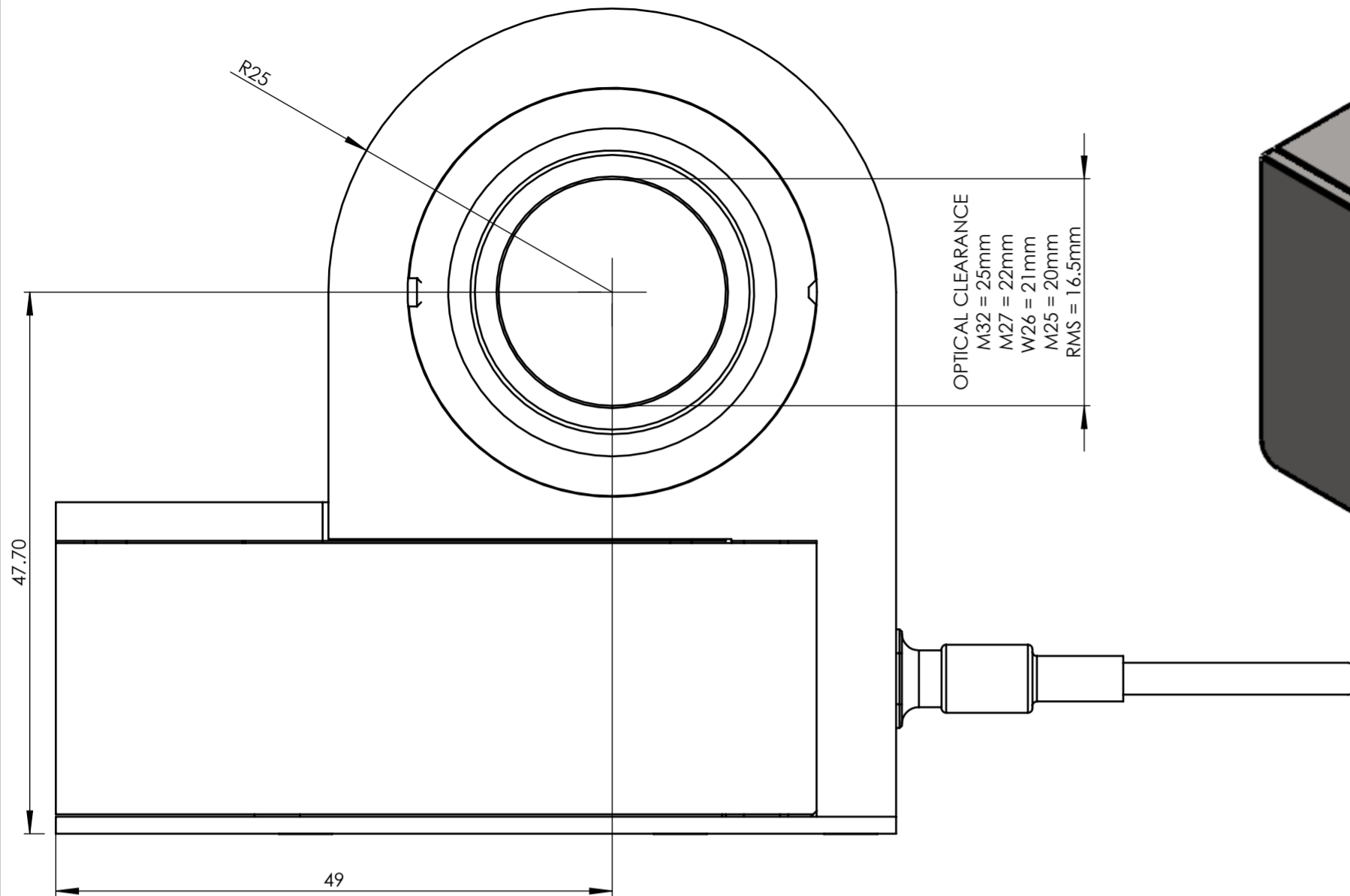
OBJECTIVE THREAD ADAPTER. SELECT APPROPRIATE THREAD TO MATCH OBJECTIVE RMS, M25, W26 OR M27. NOT REQUIRED FOR M32 SYSTEMS.



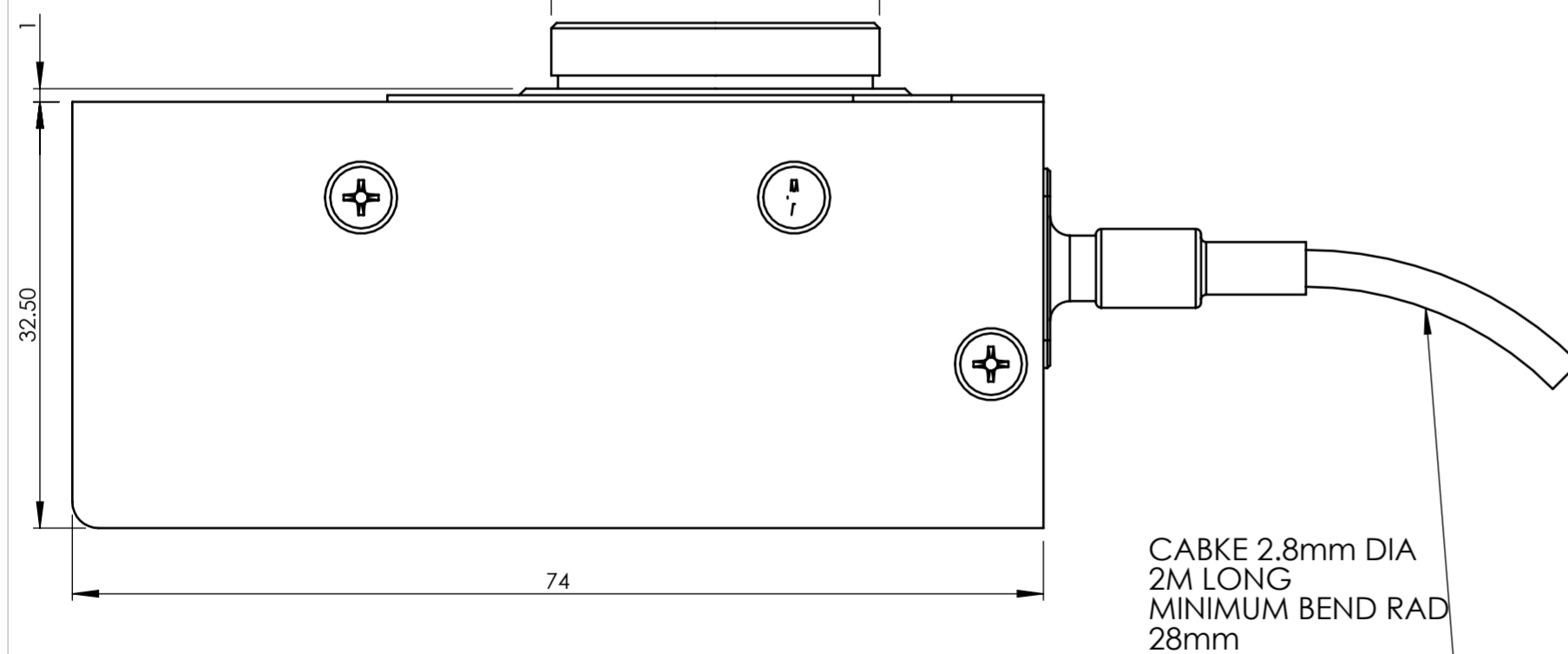
PARAFOCAL SPACERS FOR MOVING OTHER OBJECTIVES IN MICROSCOPE NOSE TO THE SAME FOCAL HEIGHT RMS, M25, W26, M27 OR M32. 13mm LONG EXCEPT M32 WHICH IS 12mm.



THREAD ADAPTER KEY CAN AID INSTALLATION AND REMOVAL OF THREAD ADAPTERS LIGHTLY NIP UP ADAPTERS ON INSTALLATION.

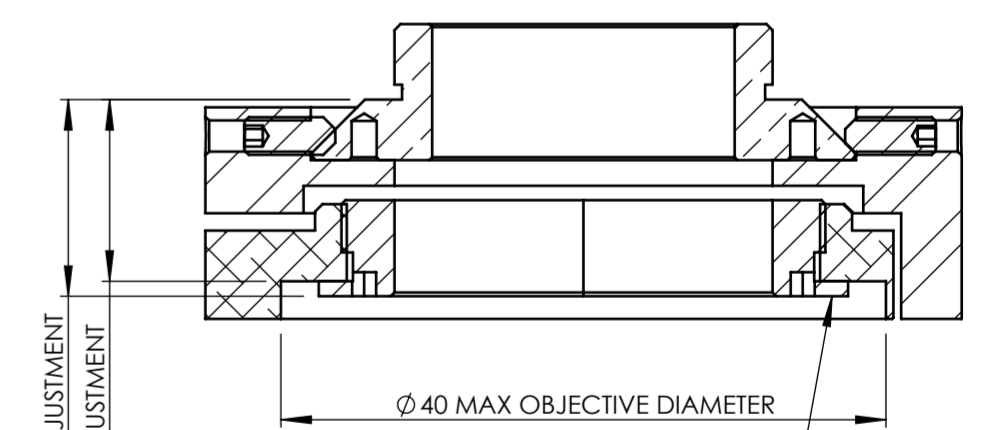
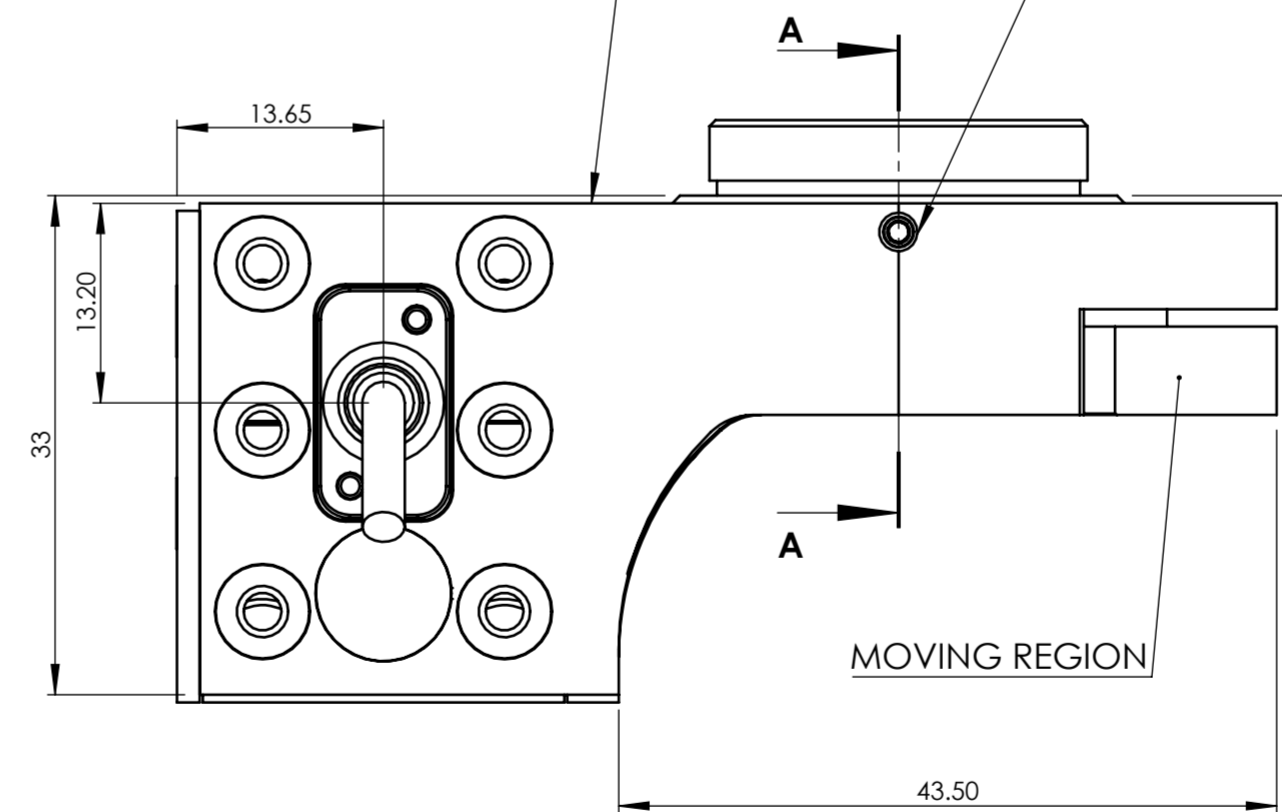


SELECT MICROSCOPE THREAD ADAPTER WITH THREAD TO SUIT MICROSCOPE (SOLD SEPARATELY)



STATIC REGION

TWO MICROSCOPE ADAPTER CLAMPING GRUB SCREWS USE 1.3mm (0.050") HEX KEY. USE ONLY THE SCREWS PROVIDED.



SCREW IN OBJECTIVE THREAD ADAPTER IF NOT USING M32 OBJECTIVES

13 RMS M25, M27 ECT PARAFOCAL ADJUSTMENT
 12 M32 ONLY PARAFOCAL ADJUSTMENT

TITLE	OP800 INSTALLATION DRAWING				APRVD.		3RD ANGLE	DO NOT SCALE IF IN DOUBT ASK
DRG. No.	QG-0494-IN-100003	SHEET 1 OF 1	ISS.	A	DRAWN	JC		
MATL.	STAINLESS, BRASS, ALUMINIUM				SCALE	1:1	TOLERANCE UNLESS OTHERWISE STATED ±0.1mm	BREAK ALL SHARP EDGES
FINISH	CLEAN				DATE	15.06.22		
PRIOR Scientific Instruments Ltd. Fulbourn, Cambridge.								

ECN	REV	CREATED	APP	DATE	DETAILS
1st Rel	A	JC			1st Release