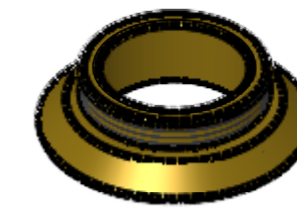


ADAPTERS AND ACCESSORIES

(SOLD SEPARATELY NOT SHOWN TO SCALE)



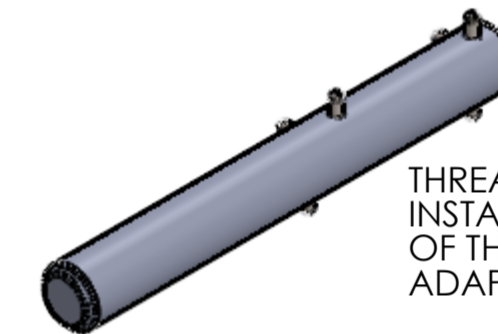
MICROSCOPE THREAD MOUNT. SELECT THREAD TO MATCH MICROSCOPE RMS, M25, W26, M27 OR M32.



OBJECTIVE THREAD ADAPTER. SELECT APPROPRIATE THREAD TO MATCH OBJECTIVE RMS, M25, W26 OR M27. NOT REQUIRED FOR M32 SYSTEMS.

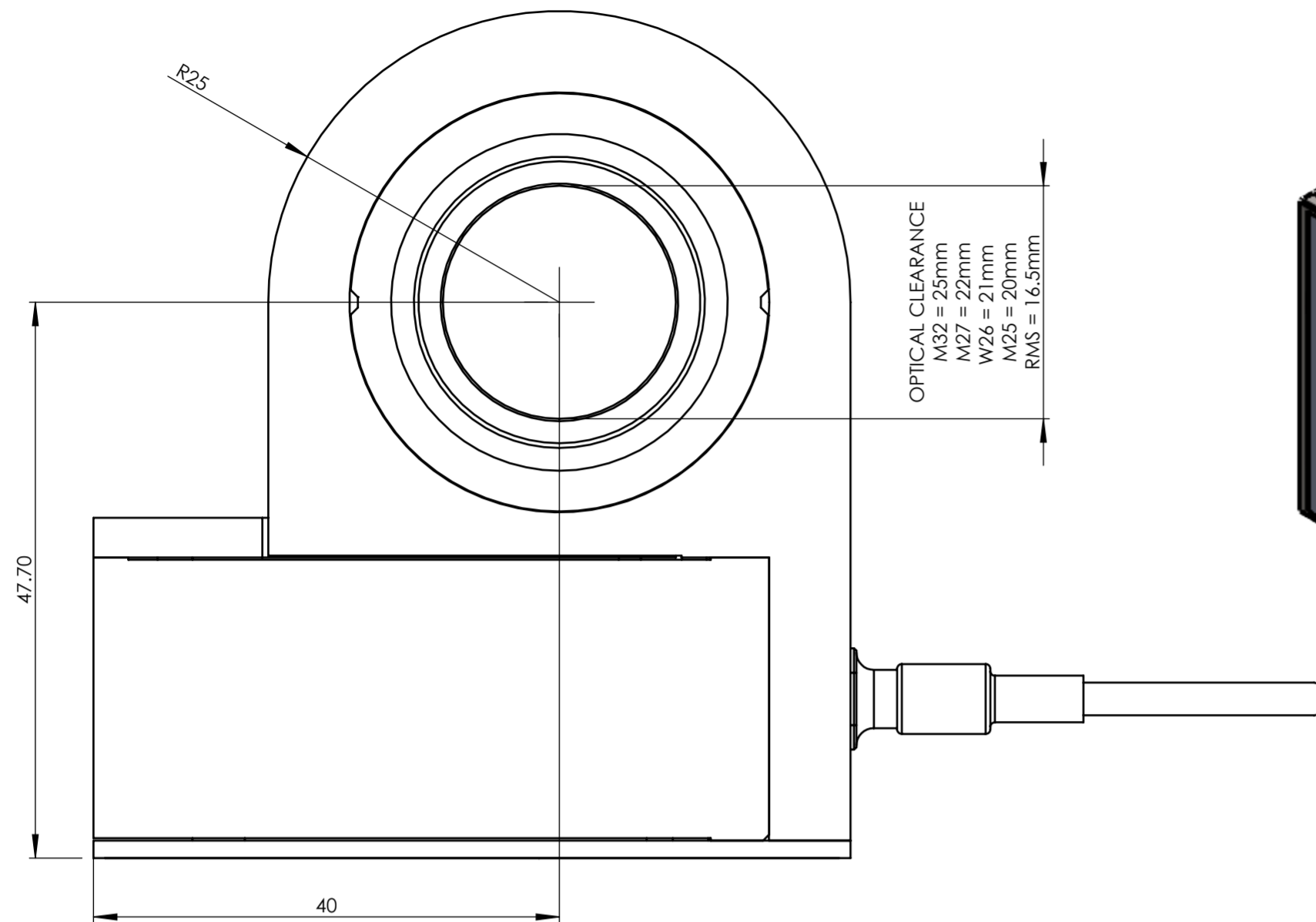
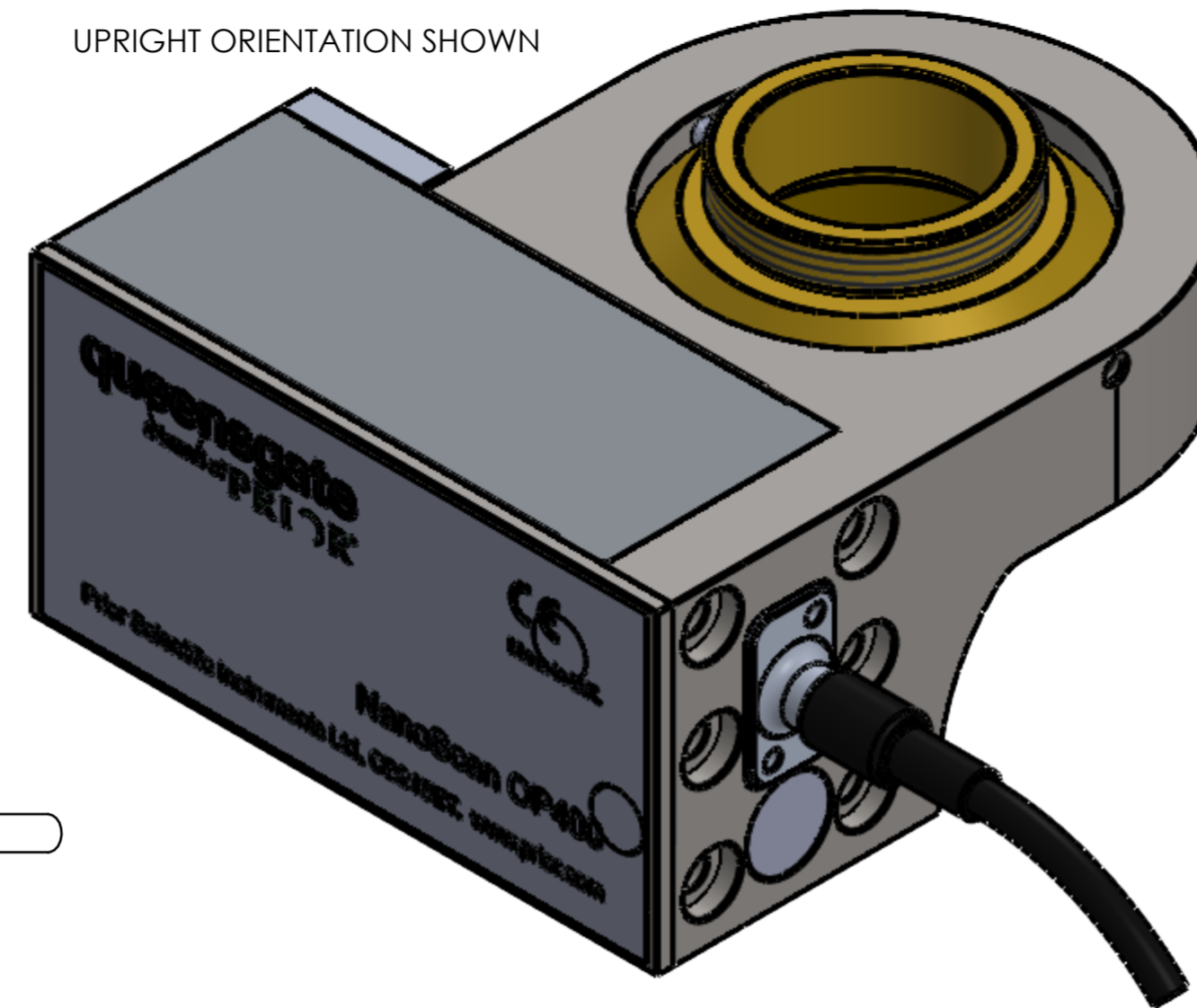


PARAFOCAL SPACERS FOR MOVING OTHER OBJECTIVES IN MICROSCOPE NOSE TO THE SAME FOCAL HEIGHT RMS, M25, W26, M27 OR M32. 13mm LONG EXCEPT M32 WHICH IS 12mm.

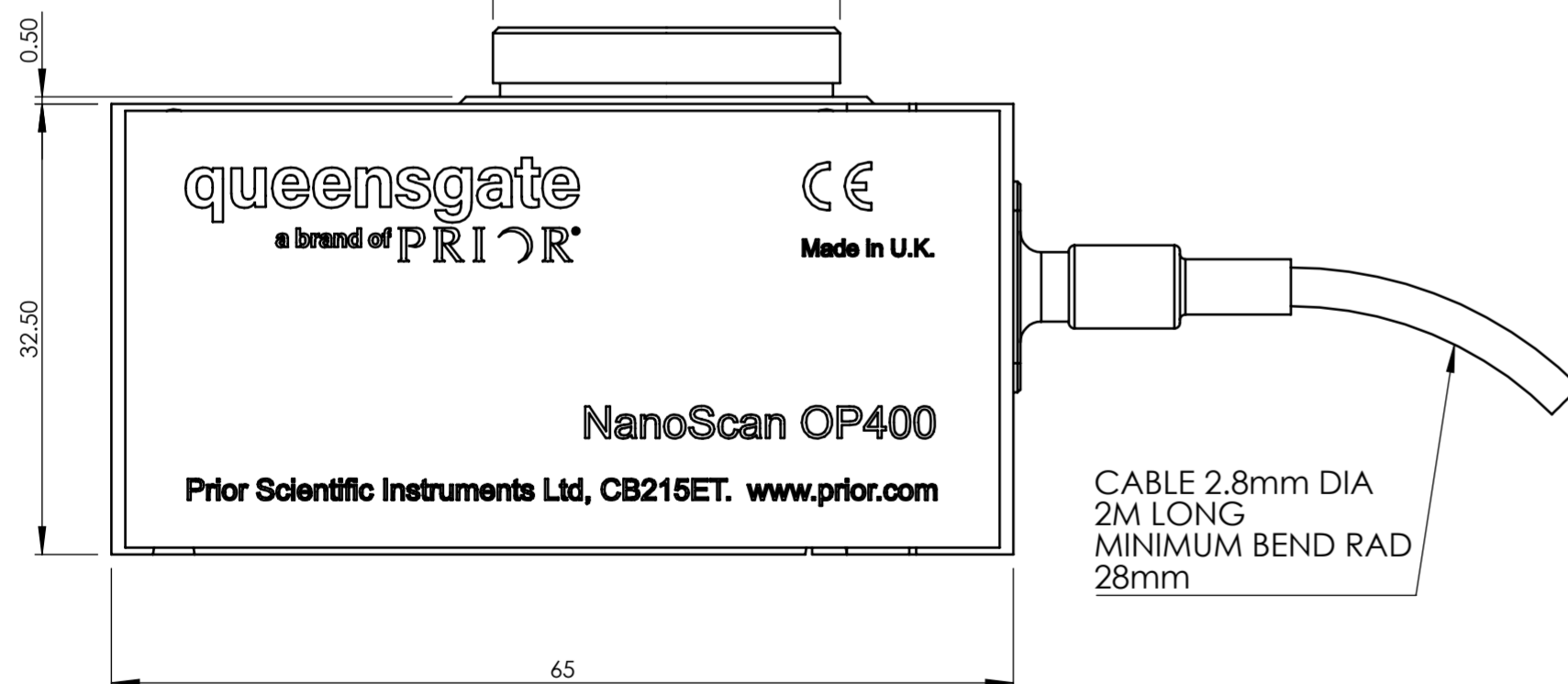


THREAD ADAPTER KEY CAN AID INSTALLATION AND REMOVAL OF THREAD ADAPTERS LIGHTLY NIP UP ADAPTERS ON INSTALLATION.

UPRIGHT ORIENTATION SHOWN

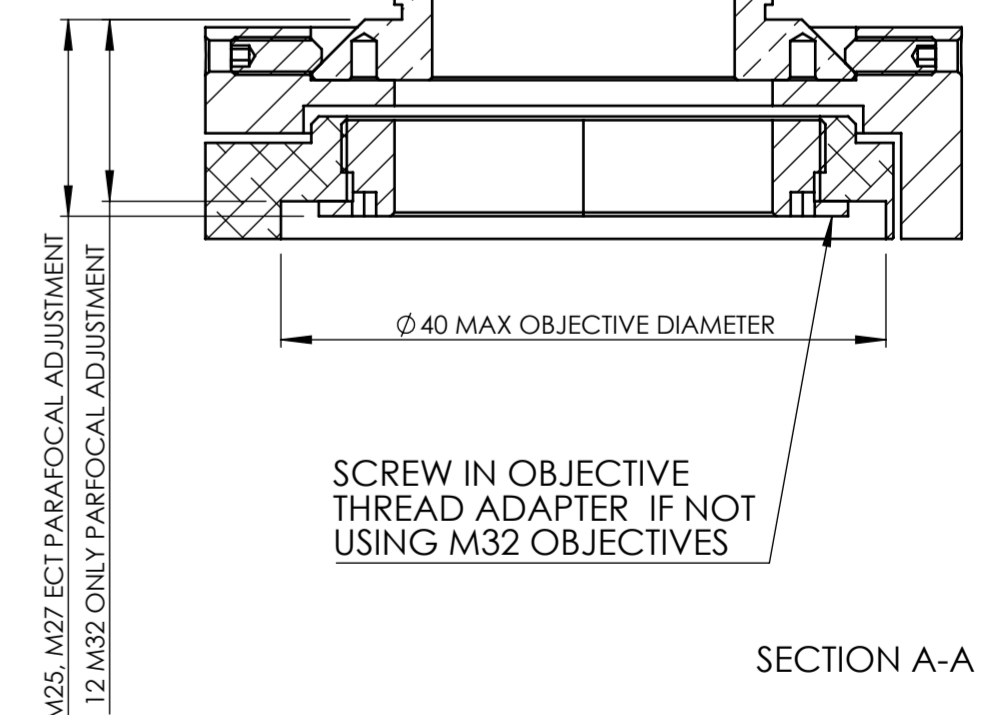
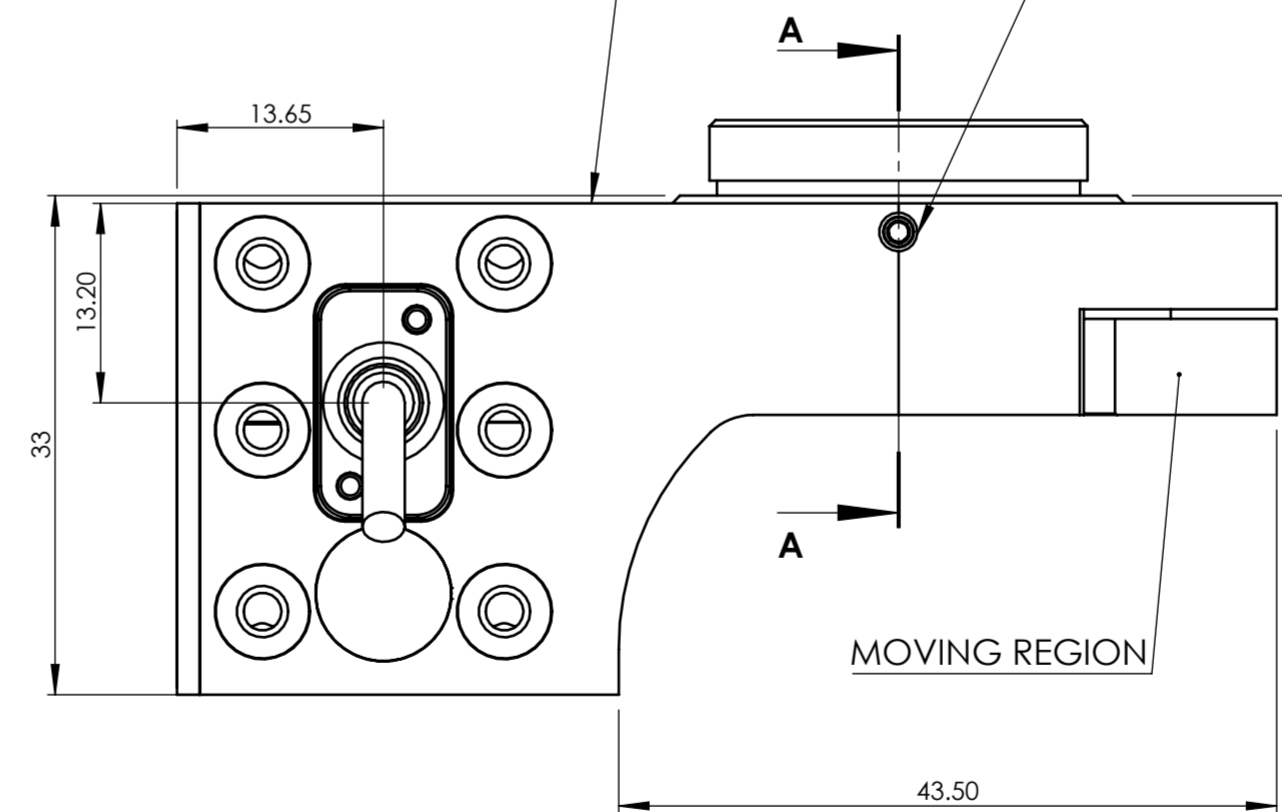


SELECT MICROSCOPE THREAD ADAPTER WITH THREAD TO SUIT MICROSCOPE (SOLD SEPARATELY)



STATIC REGION

TWO MICROSCOPE ADAPTER CLAMPING GRUB SCREWS USE 1.3mm (0.050") HEX KEY. USE ONLY THE SCREWS PROVIDED.



TITLE	OP-400 INSTALLATION DRAWING				APRVD.	3RD ANGLE DO NOT SCALE IF IN DOUBT ASK	
DRG. No.	QG-0494-IN-100001	SHEET 1 OF 1	ISS.	A	DRAWN		JC
MATL.	STAINLESS, BRASS, ALUMINIUM				SCALE		1:1
FINISH	CLEAN				DATE		09.08.19
PRIOR Scientific Instruments Ltd. Fulbourn, Cambridge.							TOLERANCE UNLESS OTHERWISE STATED ±0.1mm BREAK ALL SHARP EDGES

ECN	REV	CREATED	APP	DATE	DETAILS
1st Rel	A	JC			1st Release