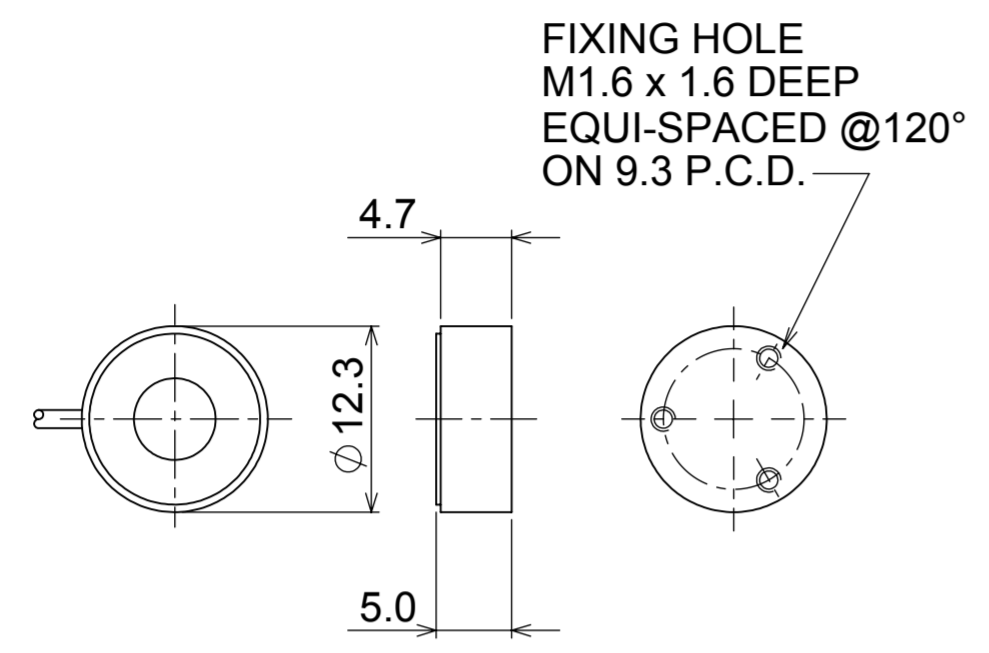


NXB, ACTIVE AREA 22.6sqmm

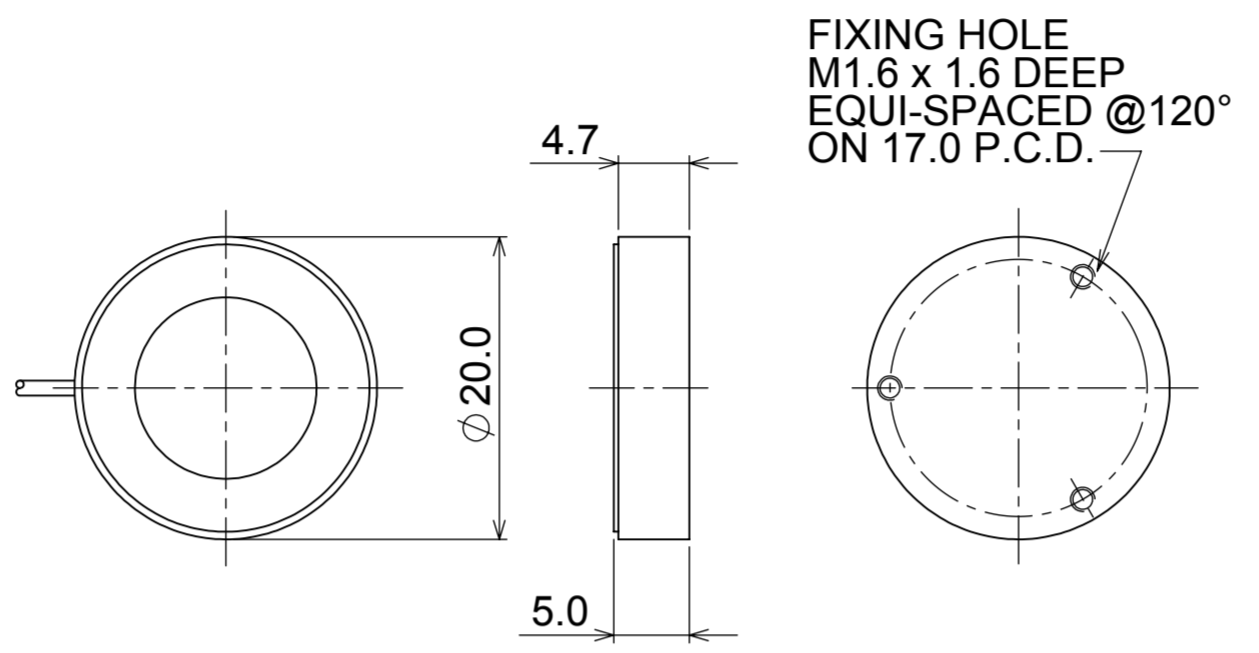
NXC, ACTIVE AREA 113sqmm

NXD, ACTIVE AREA 282sqmm

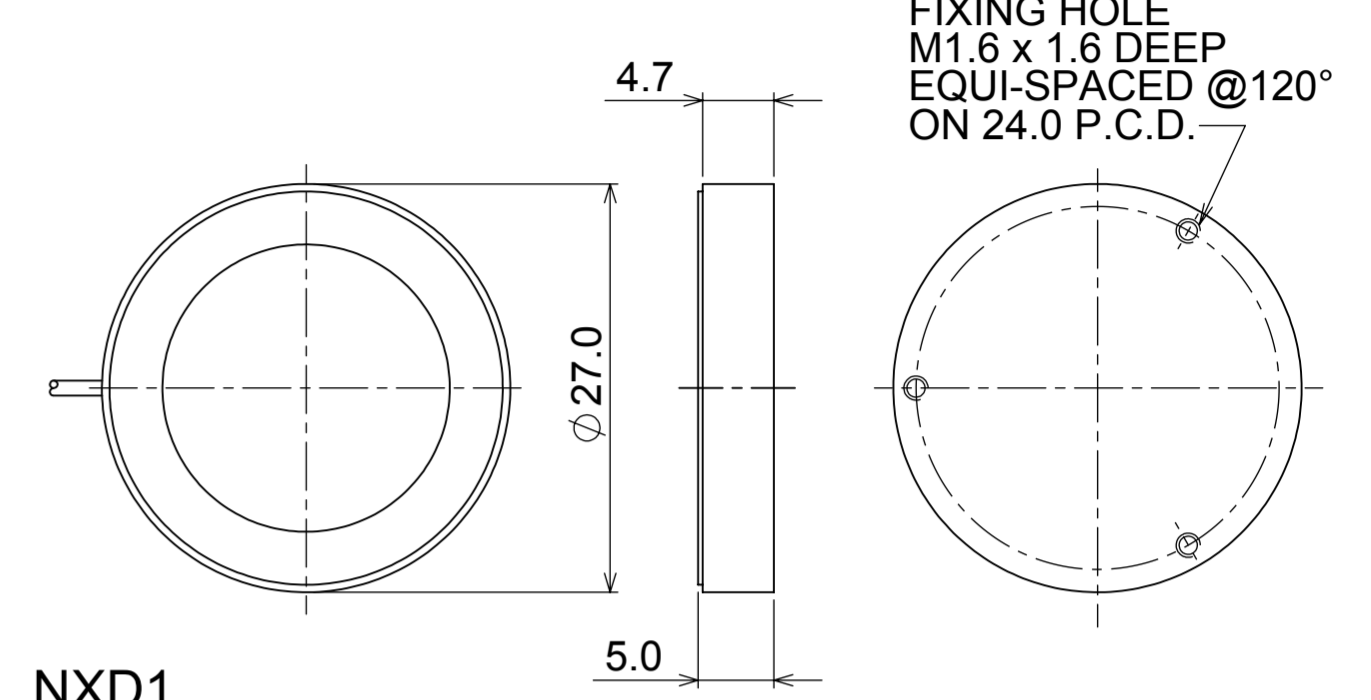
1
ROUND



NXB1

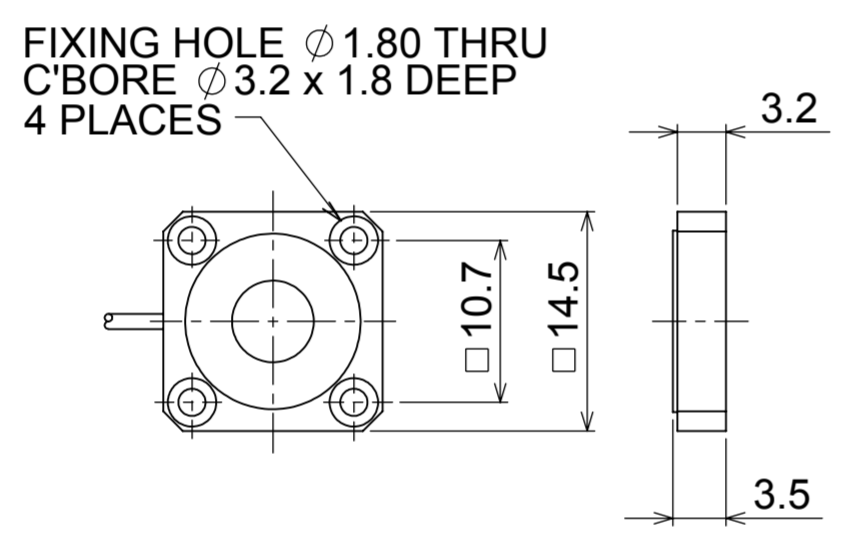


NXC1

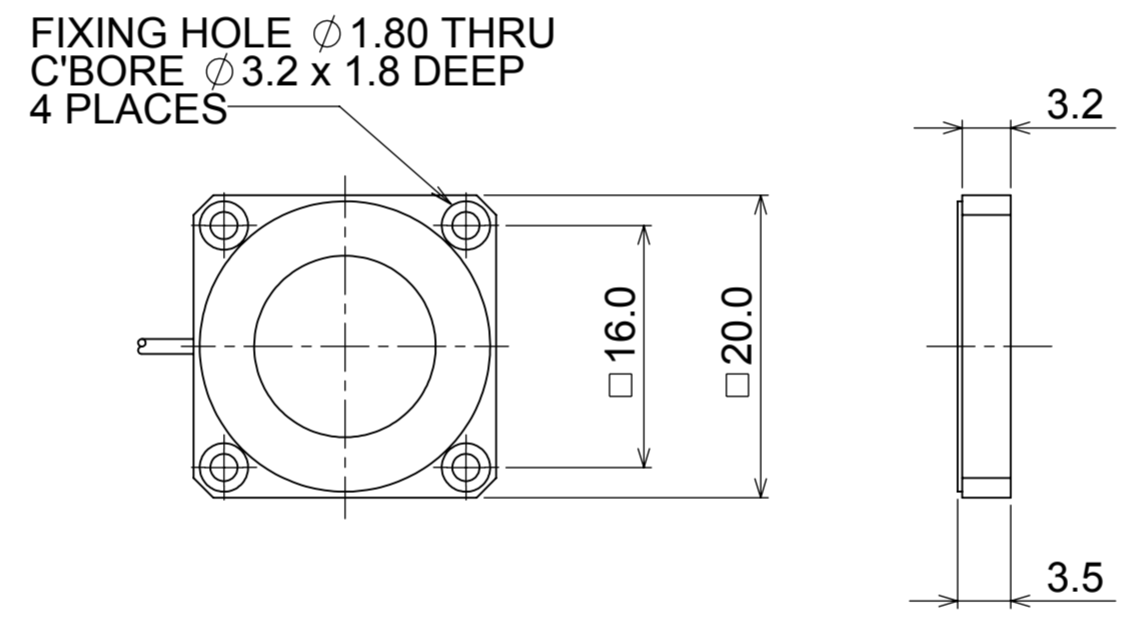


NXD1

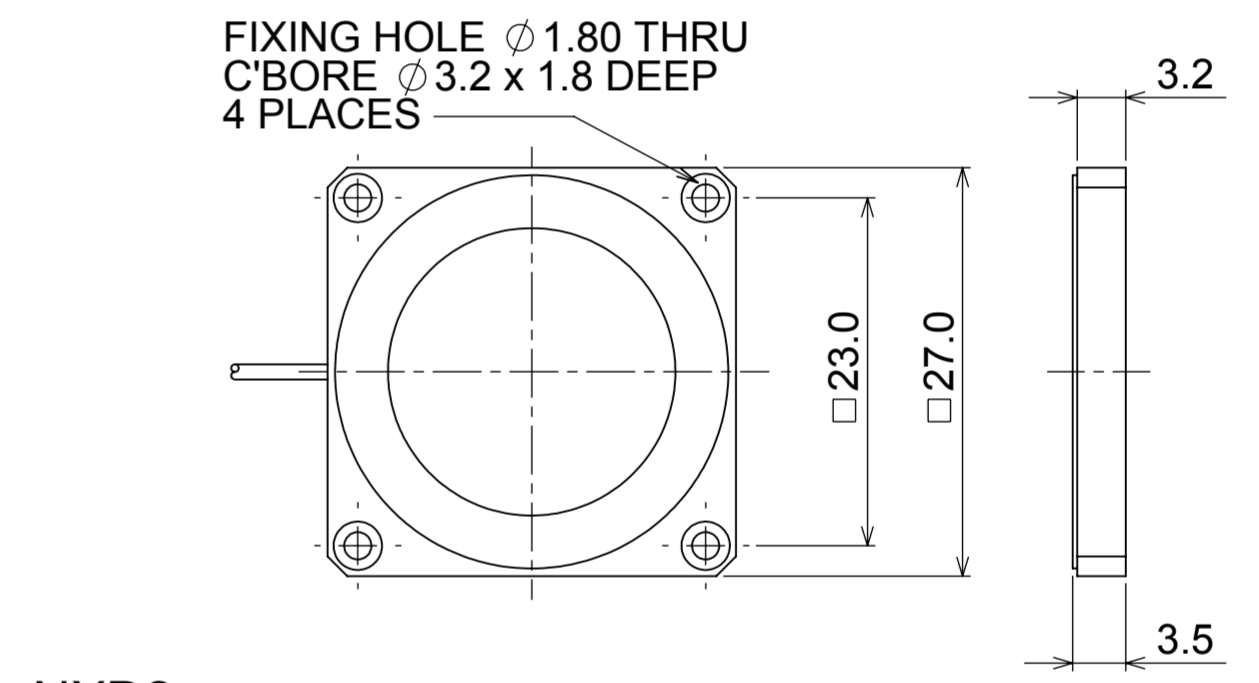
2
SQUARE



NXB2

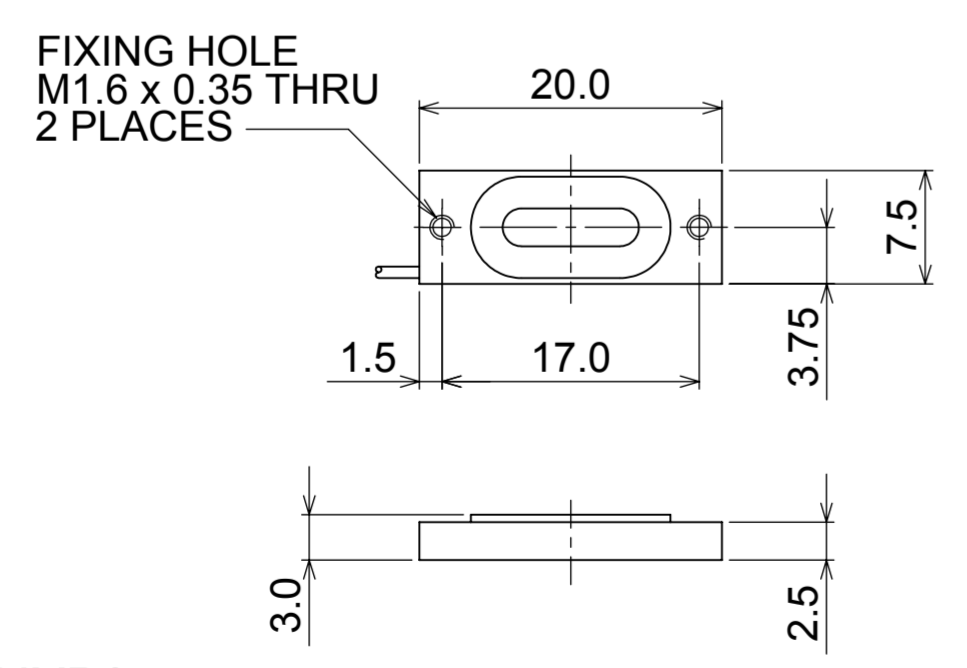


NXC2

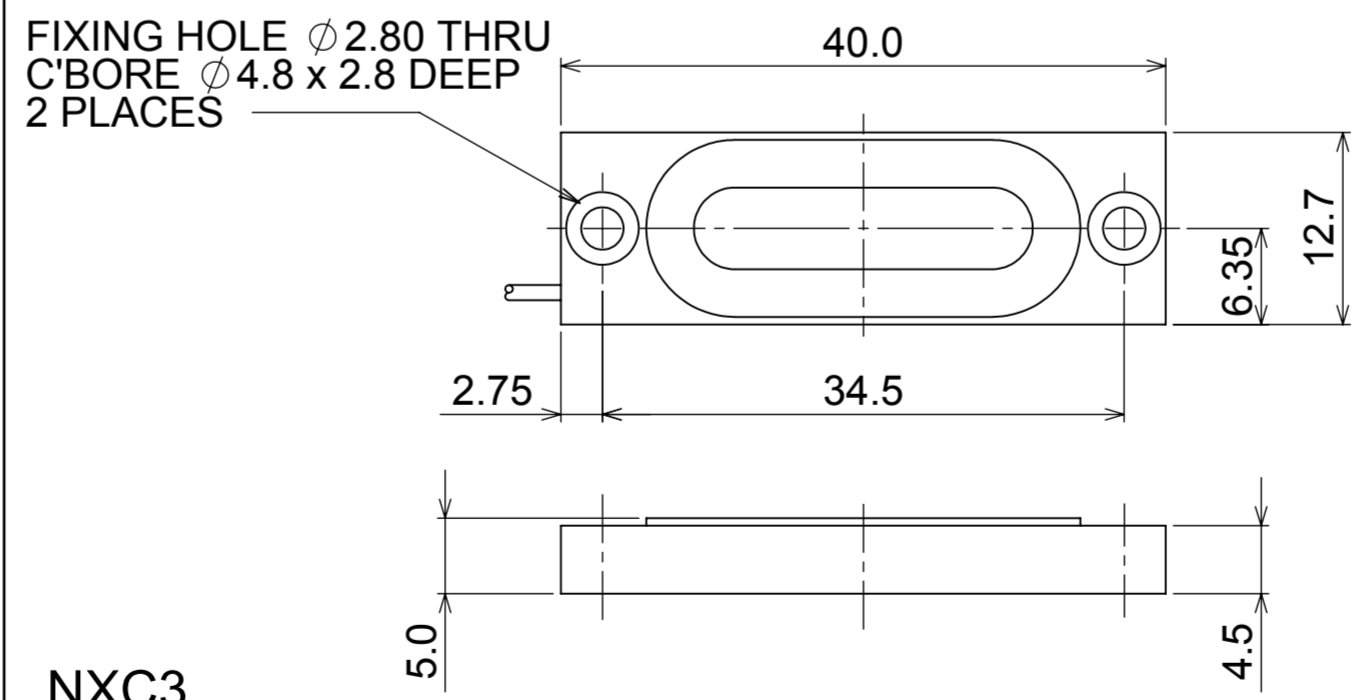


NXD2

3
RECTANGULAR



NXB3



NXC3

NOT AVAILABLE

Note: NX Series Nanosensors are two plate sensors. Drawing depicts Probe sensor only, Target sensor is mechanically identical. Refer to Nanosensor Information Sheet for recommended mounting instructions.

2	-	REDRAWN ON ELEKTRON FORMAT	07-01-14
1	-	FIRST RELEASE	22-07-99
ISSUE	ECR No.	NOTE	DATE
ALL DIMENSIONS IN MILLIMETERS			
TOLERANCES UNLESS OTHERWISE STATED SHALL ADHERE TO: ISO 2768-H			
THIRD ANGLE PROJECTION			

Brand Queensgate	Document type Installation Drawing	Date created 07-01-14
	Drawing no. CMS-0929-S	Material Not Applicable
	Title / Description NX NANOSENSOR INSTALLATION DRAWING	
Created by GMJ	Approved by GMJ	Scale 1:1
Sheet size A2		Sheet no. Sheet 1 OF 1