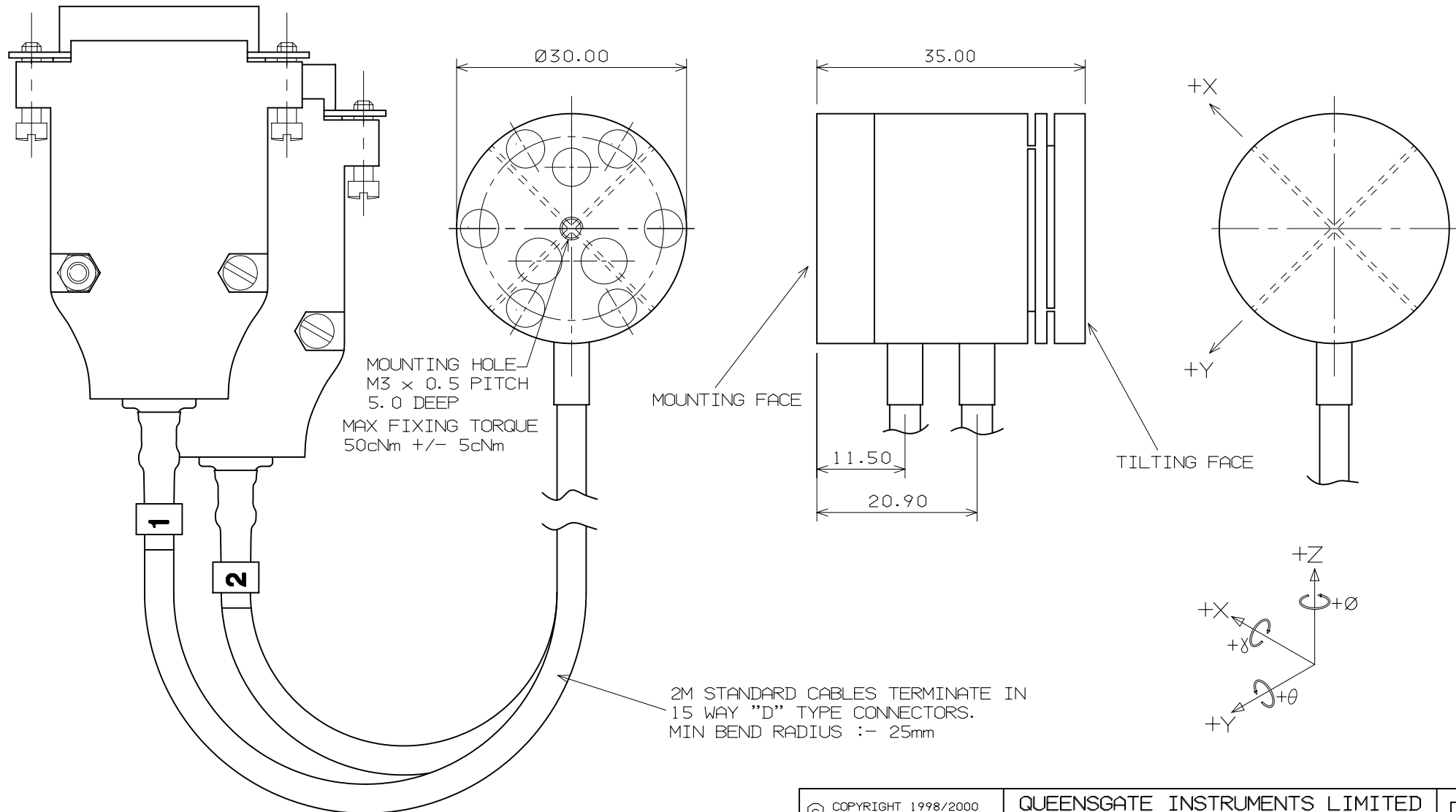


DRG. NO.
NPS-0038-I



2	NPS-7160-R	J. R.	AGD	GMJ	PMR	PMR	14/02/00
1		J. R.	G. J.	GMJ	PMR	MJM	02/06/98
ISSUE	ECR No	DESN	DRAWN	CHKD.	REA	APP'D	DATE

ALL DIMENSIONS IN MM	
TOLERANCES UNLESS OTHERWISE STATED	
1 DECIMAL PLACE	±0.25
2 DECIMAL PLACES	±0.15
TRUE POSITIONAL ZONE DIA.	0.1
ANGULAR (DEGREES)	±0.5

© COPYRIGHT 1998/2000 QUEENSGATE INST. LTD.		QUEENSGATE INSTRUMENTS LIMITED WILLOUGHBY ROAD, BRACKNELL, BERKSHIRE, RG12 8FB.	
MATERIAL AL ALLOY 7075		TITLE XPS-TP-2A INSTALLATION DRAWING	
FINISH ELECTROLESS NICKEL		SCALE 2-1	DRG. SIZE A3
		DRAWING NUMBER NPS-0038-I	



ISSUE 2
SHEET 1 OF 1