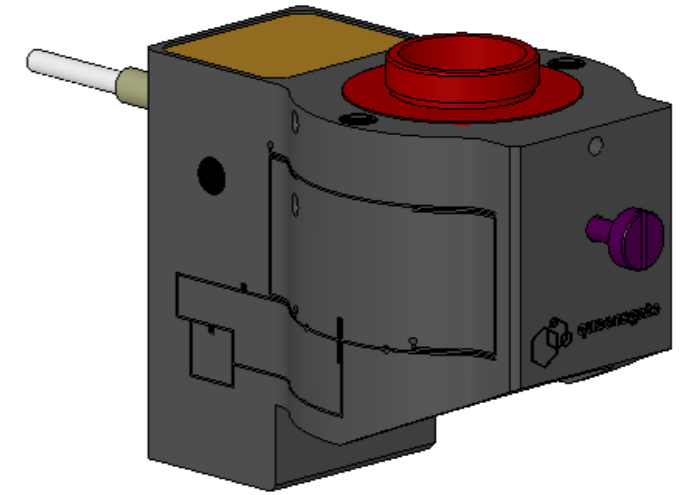
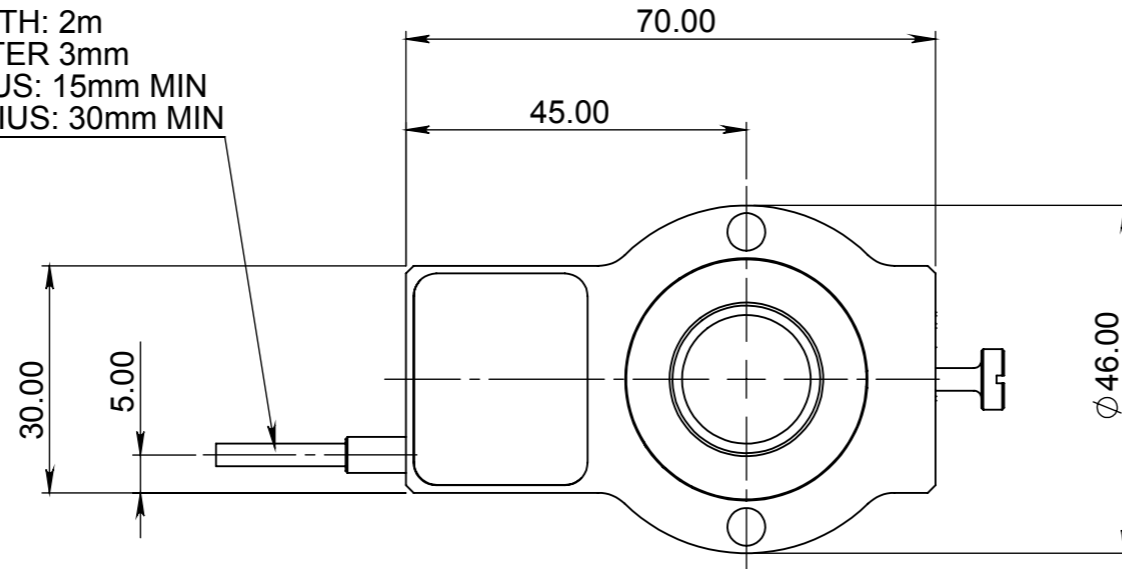


DWG NO.  
OSM-0031-I  
USED ON

DO NOT SCALE DRAWING

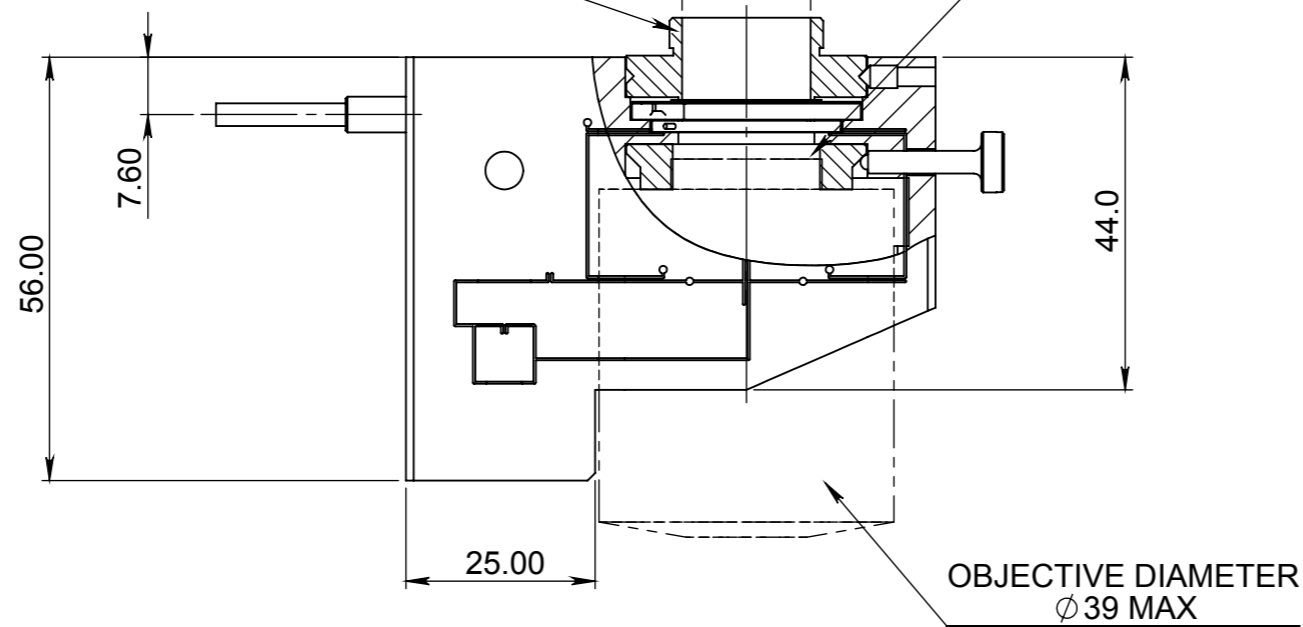
CABLE LENGTH: 2m  
CABLE DIAMETER 3mm  
STATIC BEND RADIUS: 15mm MIN  
DYNAMIC BEND RADIUS: 30mm MIN



DETACHABLE QUICK MOUNT ADAPTOR  
TO MICROSCOPE NOSEPIECE  
REFER TO TABLE FOR  
THREAD DIMENSION

Ø 17.00  
CLEAR APERTURE

DETACHABLE QUICK MOUNT ADAPTOR  
TO MICROSCOPE OBJECTIVE



ALL DIMENSIONS IN MILLIMETERS  
TOLERANCES UNLESS OTHERWISE STATED  
X.X=±0.25 X.XX=±0.15 ANGULAR=±0.30°  
TRUE POSITIONAL ZONE DIA. 0.1

THIRD ANGLE  
PROJECTION

COPYRIGHT©ELEKTRON TECHNOLOGY PLC. ALL RIGHT RESERVED NO UNAUTHORISED DUPLICATION OR MANUFACTURE PERMITTED

Woodland Road, Torquay  
Devon TQ2 7AY UK  
Telephone: 01803 407 700  
Fax: 01803 407 699  
www.nanopositioning.com  
Email: info@queensgate.com

DESCRIPTION					
<b>INSTALLATION DRAWING FOR OSM-Z-100B WITH RMS OR M25 ADAPTORS</b>					
DWG NO.	OSM-0031-I	ISSUE	1	DATE	05/03/2013
DRAWN	JZ	APPD.	JR	SCALE	1:1
				SIZE	A3
					SHEET 1 OF 1