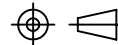


USED ON

IF IN DOUBT ASK

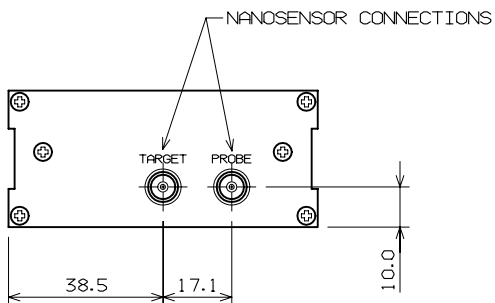
DO NOT SCALE



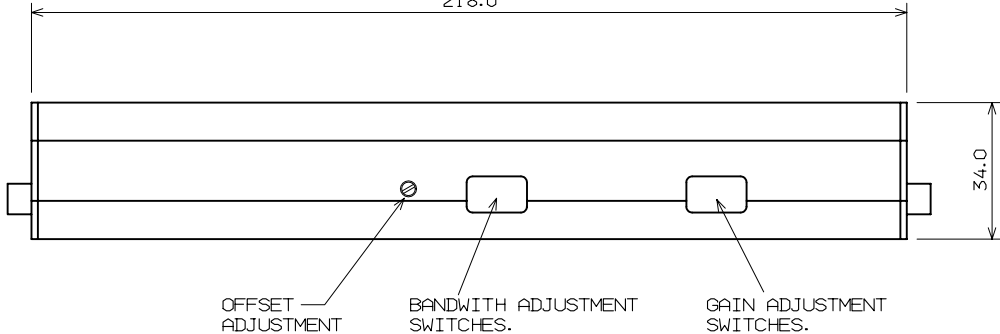
PART MUST BE FREE FROM BURRS

DRG. NO.
NFS-0082-I

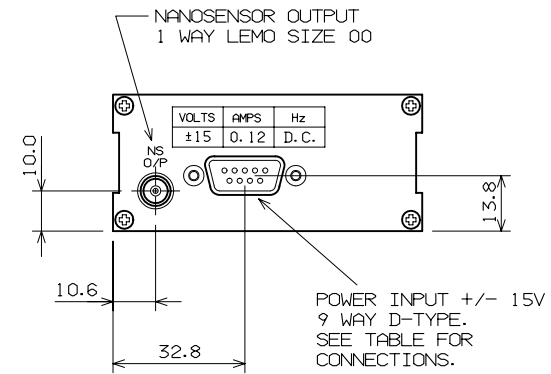
FRONT VIEW



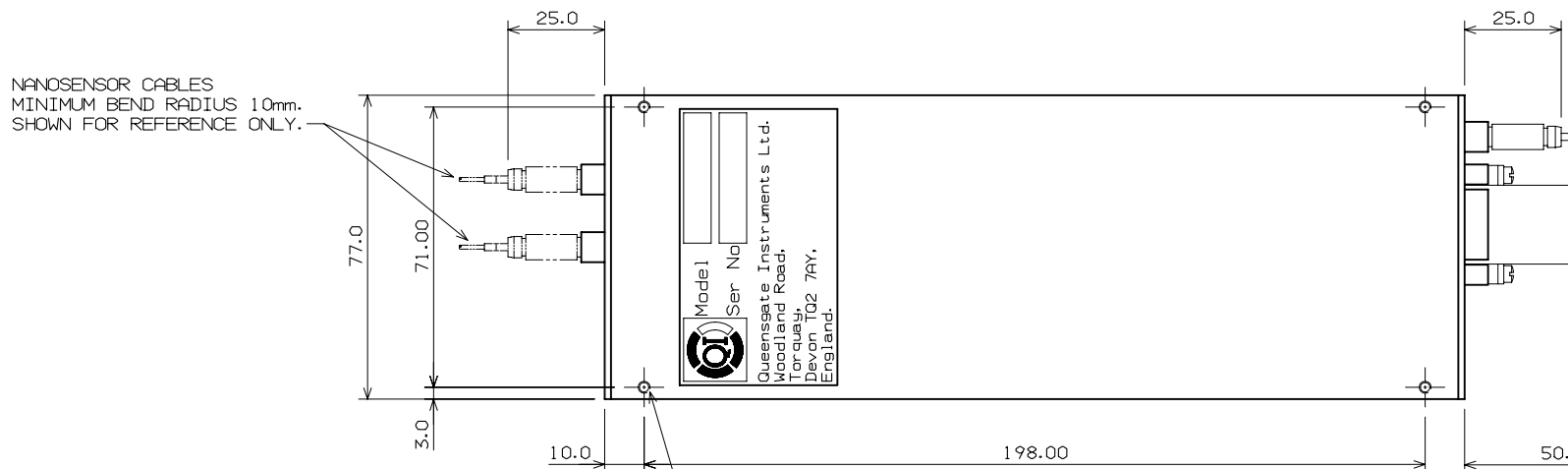
218.0



REAR VIEW



NANOSENSOR CABLES
MINIMUM BEND RADIUS 10mm.
SHOWN FOR REFERENCE ONLY.



Model
Ser No
Queensgate Instruments Ltd.
Woodland Road,
Torquay,
Devon TQ2 7AY,
England.

UNDERSIDE OF MODULE

POWER CONNECTION	PIN NUMBER	WIRE COLOUR
+15V	1	RED
0V	3	BLACK
-15V	5	BLUE

ISSUE	ECR No	DESN	DRAWN	CHKD	REA	APP'D	DATE
1		GMJ	GMJ				08/03/02

ALL DIMENSIONS IN MM
TOLERANCES UNLESS OTHERWISE STATED
1 DECIMAL PLACE ±0.25
2 DECIMAL PLACES ±0.15
TRUE POSITIONAL ZONE DIA. 0.1
ANGULAR (DEGREES) ±0.5

© COPYRIGHT 2002 QUEENSGATE INST. LTD.	Queensgate Instruments Limited. WOODLAND ROAD, TORQUAY, DEVON, TQ2 7AY.	
MATERIAL	TITLE NS2000 MODULE INSTALLATION	
FINISH	SCALE 1 : 1 DRG. SIZE A2	ISSUE 1
	DRAWING NUMBER NFS-0082-I	SHEET 1 OF 1