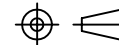


USED ON

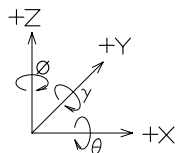
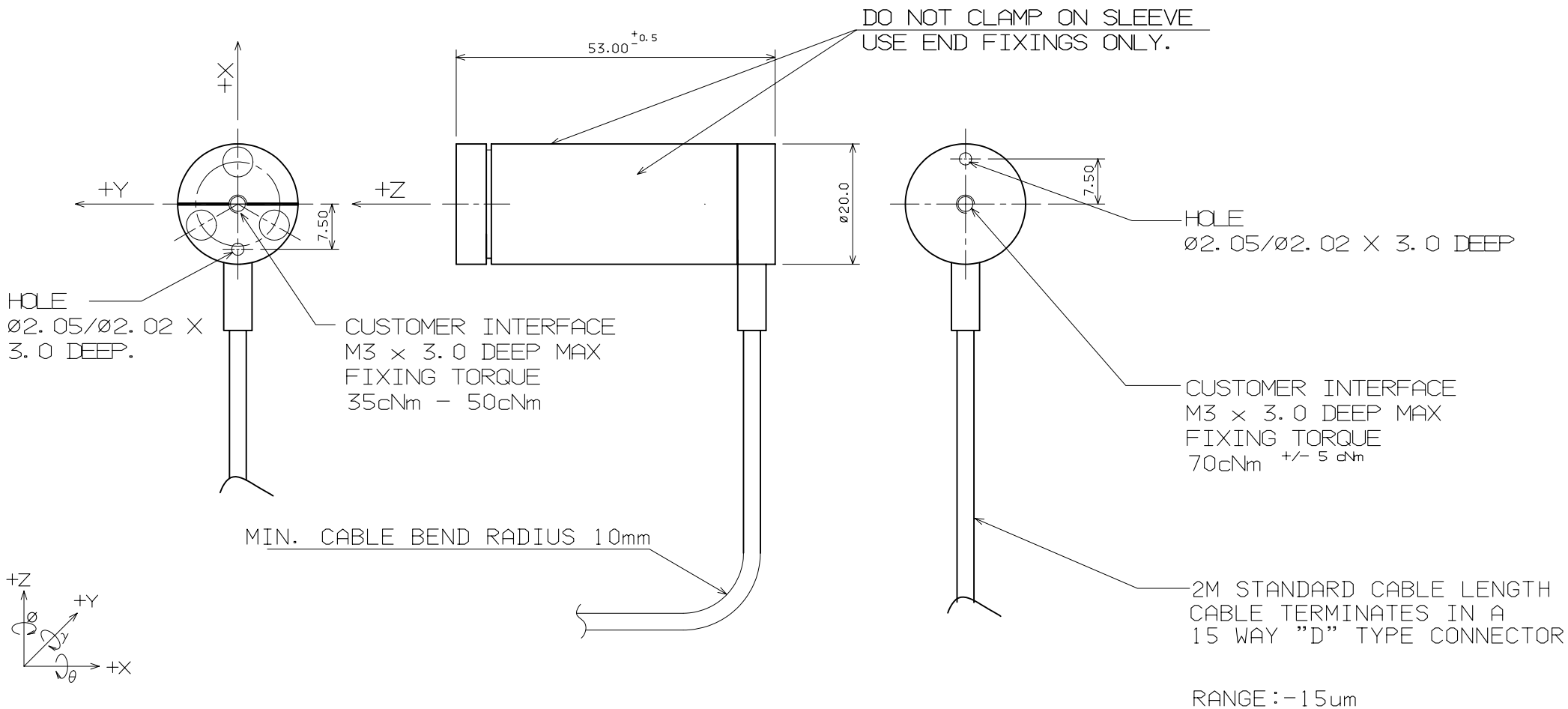
IF IN DOUBT ASK

DO NOT SCALE

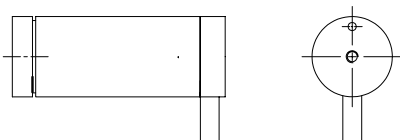


PART MUST BE FREE FROM BURRS

DRG. NO. NPS-0035-I



FULL SIZE



ALL DIMENSIONS IN MM							
TOLERANCES UNLESS OTHERWISE STATED							
2	NPS-7179-R	JR	JR	JR	MJM	PDA	25/05/97
1		JR	JR	JR	MJM	PDA	19/09/98
ISSUE	ECR No	DESN	DRAWN	CHKD	REA	APP'D	DATE

1 DECIMAL PLACE	±0.25
2 DECIMAL PLACES	±0.15
TRUE POSITIONAL ZONE DIA.	0.1
ANGULAR (DEGREES)	±0.5

© COPYRIGHT 1996 - 97 QUEENSGATE INST. LTD.		Queensgate Instruments Limited. WOODLAND ROAD, TORQUAY, DEVON, TQ2 7AY.		
MATERIAL	SUPER INVAR			
TITLE		INSTALLATION DRAWING NPS-Z-15B		
FINISH	SCALE	2 : 1	DRG. SIZE	A2
NICKEL PLATE	DRAWING NUMBER	NPS-0035-I		ISSUE 2
				SHEET 1 OF 1