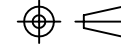
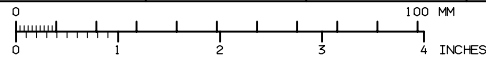


USED ON
NPS-0020-A

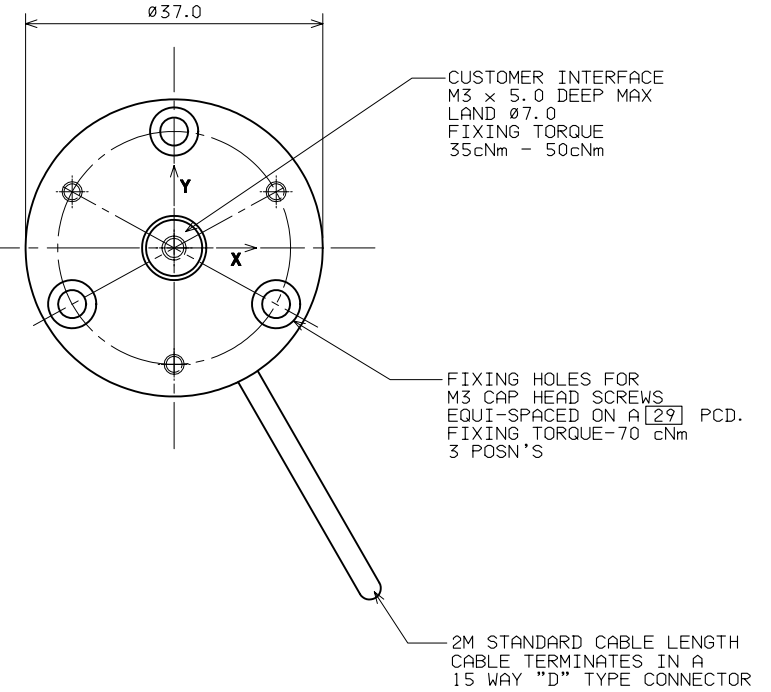
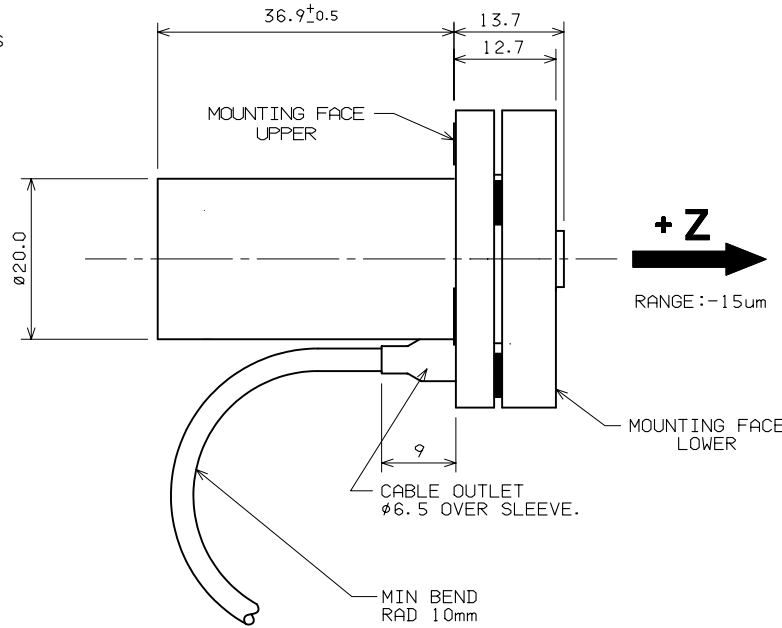
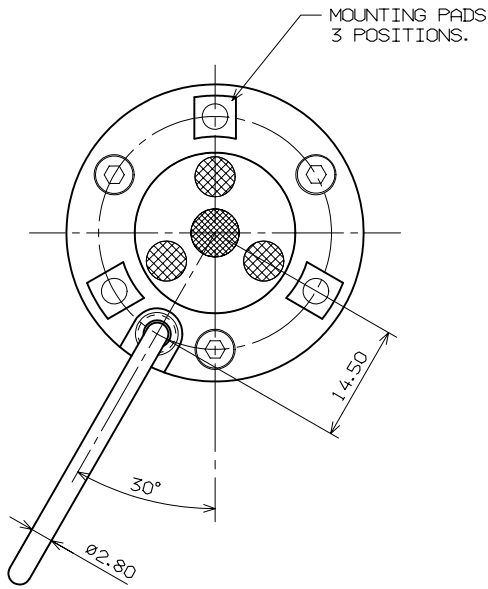
IF IN DOUBT ASK

DO NOT SCALE

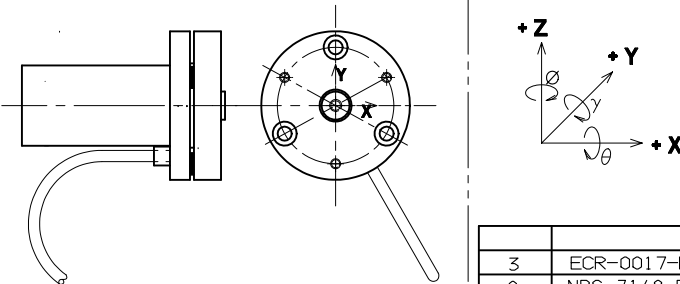


PART MUST BE FREE FROM BURRS

DRG. NO.
NPS-0030-I



FULL SIZE



ISSUE	ECR No	DESN	DRAWN	CHKD	REA	APP'D	DATE
3	ECR-0017-R	JR	JR	JR	JR	JP	27/11/02
2	NPS-7148-R	J.R.	A. E.	JR	PMR	PDA	16/6/97
1		J.R.	A. E.	J.R.	MJM	PDA	2/5/96

TOLERANCES UNLESS OTHERWISE STATED	
1 DECIMAL PLACE	±0.25
2 DECIMAL PLACES	±0.15
TRUE POSITIONAL ZONE DIA.	0.1
ANGULAR (DEGREES)	±0.5

© COPYRIGHT 1996-2002 QUEENSGATE INST. LTD.		Queensgate Instruments Limited. WOODLAND ROAD, TORQUAY, DEVON, TQ2 7AY.		
MATERIAL SUPER INVAR		TITLE INSTALLATION DRAWING NPS-Z-15A		
FINISH NICKEL PLATE		SCALE 2 : 1	DRG. SIZE A2	ISSUE 3
		DRAWING NUMBER NPS-0030-I	SHEET 1 OF 1	