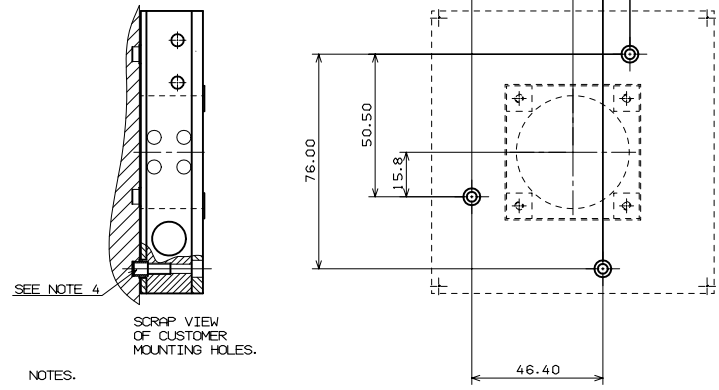
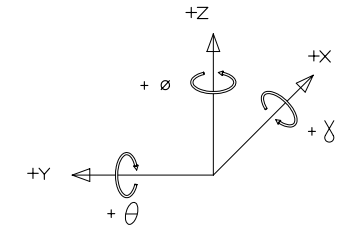


CUSTOMER FIXING FOR MOUNTING STAGE TO CUSTOMER INTERFACE.



- NOTES.
1. CUSTOMER FIXINGS DEPEND UPON WHICH SIDE THE STAGE IS TO BE MOUNTED FROM.
 2. TO MOUNT STAGE FROM ABOVE 3 OFF M3 SCREWS ARE REQUIRED.
 3. TO MOUNT STAGE FROM UNDERNEATH 3 OFF M4 SCREWS ARE REQUIRED.
 4. ALL FIXING POSITIONS REQUIRE A COUNTERBORE Ø5.25 X 2.5mm DEEP.
 5. FIXING TORQUE 60cNm TO 70cNm.



ALL DIMENSIONS IN MM										MATERIAL		TITLE		DRAWING NUMBER		SHEET OF	
TOLERANCES UNLESS OTHERWISE STATED										FINISH		SCALE 1:1		DRG. SIZE A1		ISSUE 2	
2	ECR NPS-7253-R	GMJ	CF	JR	MJM	MJM	24.3.99	1	DECIMAL PLACE	±0.25	QUEENSGATE INSTRUMENTS LIMITED		NPS-XY-100A		1		
1		GMJ	ASM	GMJ	PMR	MJM	15.10.97	2	2 DECIMAL PLACES	±0.15	WILLOUGHBY ROAD, BRACKNELL, BERKSHIRE, RG12 8FB		INSTALLATION DIAGRAM		1		
ISSUE	ECR No	DESN	DRAWN	CHKD	REA	APP'D	DATE	3	TRUE POSITIONAL ZONE DIA.	±0.1	NPS-0031-I		NPS-0031-I		1		
								4	ANGULAR (DEGREES)	±0.5					14		