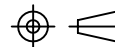
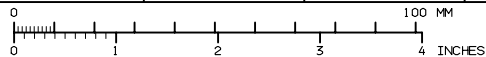


USED ON

IF IN DOUBT ASK

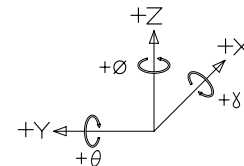
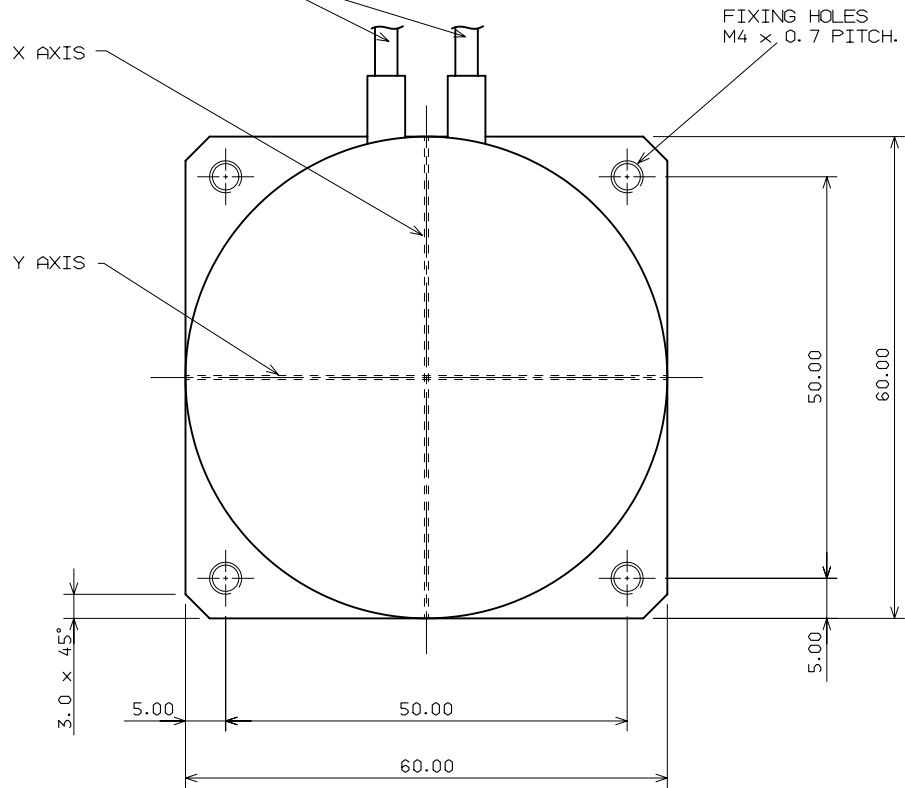
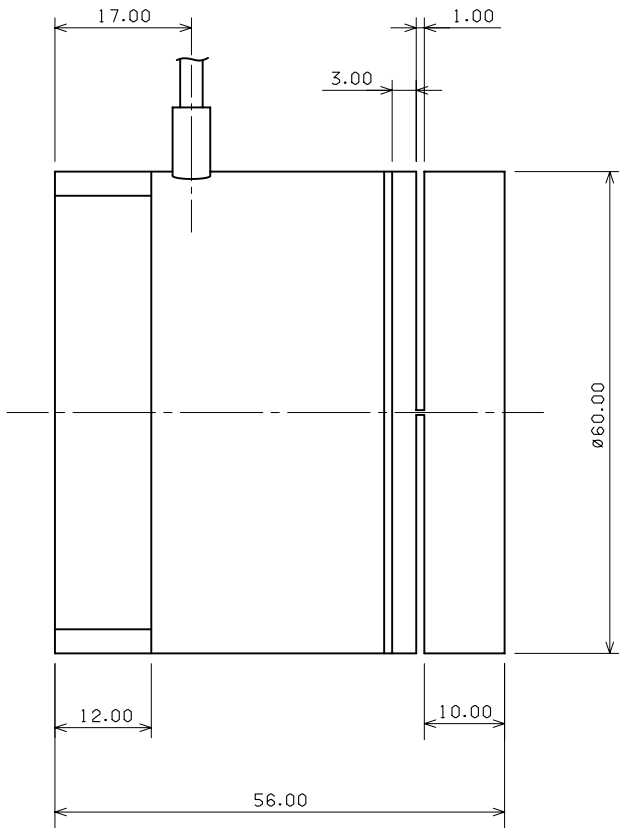
DO NOT SCALE



PART MUST BE FREE FROM BURRS

DRG. NO. NPS-0041-I

DRIVE CABLE
2M LONG TERMINATES IN 15 WAY "D" TYPE PLUG
WITH METAL EMC SHIELD.
MIN BEND RADIUS = 10mm.
IN 2 POSITIONS.



								ALL DIMENSIONS IN MM		MATERIAL		QUEENSGATE INSTRUMENTS LIMITED WATERSIDE PARK, BRACKNELL, BERKSHIRE, RG12 1RB.		
								TOLERANCES UNLESS OTHERWISE STATED		AL. ALLOY 7075		TITLE NPS-0y-2B INSTALLATION DRAWING		
A		YX/GJ	GMJ	JR	GMJ	JR	28/01/98	1 DECIMAL PLACE ±0.25	FINISH	SCALE 2-1	DRG. SIZE A2	ISSUE A		
ISSUE	ECR No	DESN	DRAWN	CHKD	REA	APP'D	DATE	2 DECIMAL PLACES ±0.15	ELECTROLESS NICKEL	DRAWING NUMBER	NPS-0041-I	SHEET OF 1		
								TRUE POSITIONAL ZONE DIA. 0.1						
								ANGULAR (DEGREES) ±0.5						