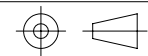
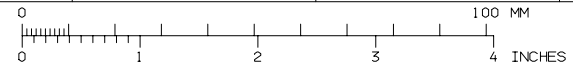


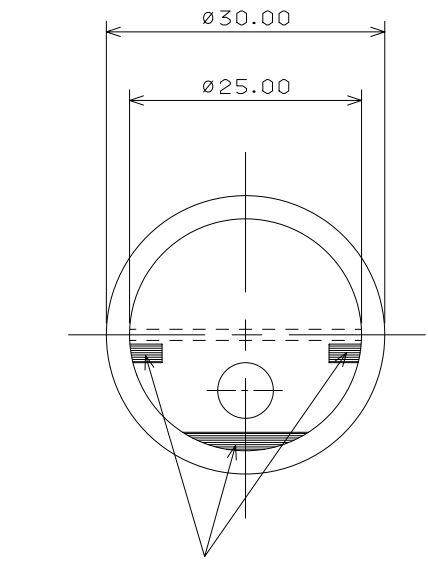
1 2 3 4 5 6 7 8

USED ON DO NOT SCALE IF IN DOUBT ASK



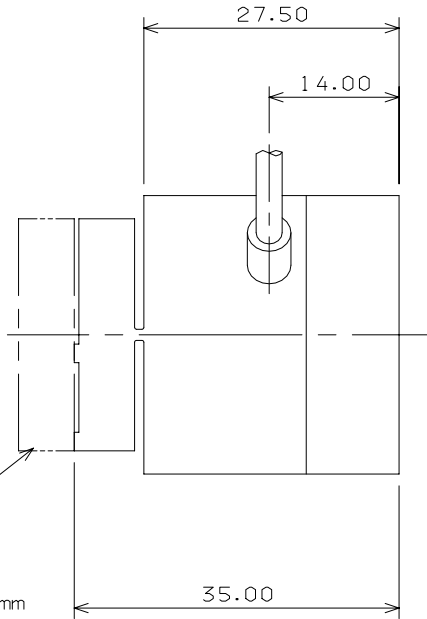
PART MUST BE FREE FROM BURRS

DRG. NO.
NPS-0045-I

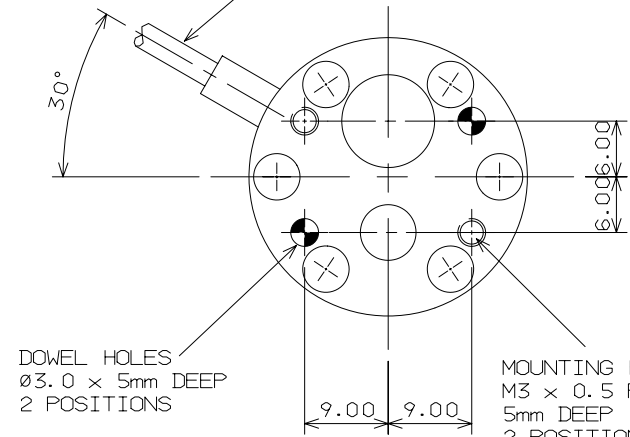


MIRROR BONDING PADS

MIRROR OUTLINE
6mm THICK, Ø25.0mm

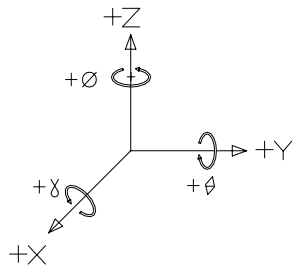


CABLE ASSY. 2m LONG, TERMINATED
IN 15 WAY D-TYPE CONNECTOR WITH
EMC/RFI BACKSHELL.
MIN. BEND RAD. 25mm



DOWEL HOLES
Ø3.0 x 5mm DEEP
2 POSITIONS

MOUNTING HOLES
M3 x 0.5 PITCH
5mm DEEP
2 POSITIONS
MAX. FIXING TORQUE
60cNm TO 70cNm.



ALL DIMENSIONS IN MM							
TOLERANCES UNLESS OTHERWISE STATED							
1		YX/GJ	GJ	GJ	PMR	MJM	4/09/98
ISSUE	ECR No	DESN	DRAWN	CHKD.	REA	APP'D	DATE
1							

© COPYRIGHT 1998
QUEENSGATE INST. LTD.

QUEENSGATE INSTRUMENTS LIMITED
WATERSIDE PARK, BRACKNELL, BERKSHIRE, RG12 1RB.



MATERIAL
STAINLESS STEEL
303

TITLE
NPS-Ø-2A
INSTALLATION DRAWING

FINISH
CLEAN

SCALE 2-1 DRG. SIZE A3

DRAWING NUMBER NPS-0045-I

ISSUE 1
SHEET 1
OF 1

1 2 3 4 5 6 7 8